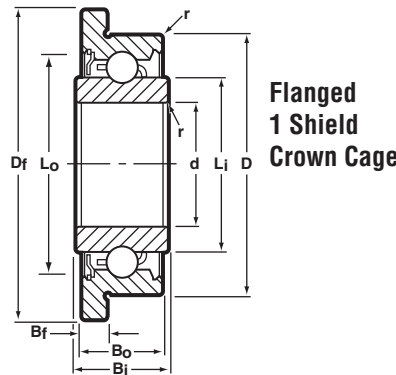
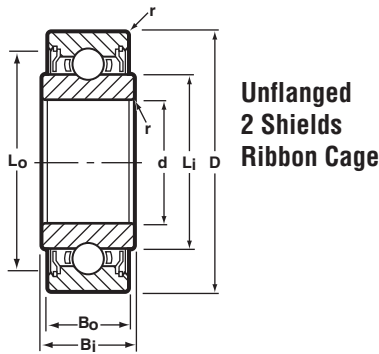




## Extended Inner Ring Radial Shielded, Unflanged & Flanged



### Notes:

1. Inch to metric conversion—see page 57.
2. Basic part numbers shown below include code "SS" for AISI 440C stainless steel. If SAE 52100 chrome alloy steel is desired delete SS.
3. See page 7 for ABEC tolerances.
4. r=Maximum shaft or housing fillet radius that bearing corners will clear.
5. Add "Z" for single shield, "ZZ" for two shields, as a suffix to basic part number. For extended inner ring add "EE".

† For flanged bearings substitute prefix SSRIF- or SSRF-

\* "R" Ribbon or "H" Crown Cages are available as indicated. Please consult with factory for machined cage availability.

1 Metric dimensions for reference only.

\*\* Load ratings are based on ABMA Standard #12.

BASIC P/N †	CAGE TYPE *	BORE d		O. D. D		INNER WIDTH Bi		OUTER WIDTH B0		FLANGE DIA. Df	FLANGE WIDTH Bf	LAND DIAMETER (REFERENCE)		FILLET RADIUS r	BALL COMPLEMENT		LOAD RATINGS**		Nmax/h rpm/1000
		INCH	(mm) <sup>1</sup>	INCH	(mm) <sup>1</sup>	INCH	(mm) <sup>1</sup>	INCH	(mm) <sup>1</sup>			Li	Lo		NO. Z	SIZE Db	DYN. C	STATIC Co	
SSRI-2 1/2	H	.0469	1.191	.1562	3.967	.1250	3.175	.0937	2.380	.203	.031	.081	.134	.003	6	1/32	16	5	149
SSRI-3	H	.0550	1.397	.1875	4.763	.1406	3.571	.1094	2.779	.234	.031	.093	.167	.003	5	3/64	28	10	121
SSRI-4	H	.0781	1.984	.2500	6.350	.1719	4.366	.1406	3.571	.296	.031	.122	.205	.003	6	3/64	35	12	97
SSRI-3332	H	.0937	2.380	.1875	4.763	.1250	3.175	.0937	2.380	.234	.031	.118	.167	.003	7	1/32	19	6	109
SSRI-3332	R	.0937	2.380	.1875	4.763	.1250	3.175	.0937	2.380	.234	.031	.118	.167	.003	8	1/32	21	8	109
SSRI-5	R/H	.0937	2.380	.3125	7.938	.1719	4.366	.1406	3.571	.359	.031	.173	.282	.003	6	1/16	60	22	68
SSRI-418	H	.1250	3.175	.2500	6.350	.1406	3.571	.1094	2.779	.296	.031	.161	.228	.003	7	.0394	30	11	79
SSRI-418	R	.1250	3.175	.2500	6.350	.1406	3.571	.1094	2.779	.296	.031	.161	.228	.003	8	.0394	33	12	79
SSRI-518	R/H	.1250	3.175	.3125	7.938	.1719	4.366	.1406	3.571	.359	.031	.173	.282	.003	6	1/16	60	22	68
SSRI-618	R/H	.1250	3.175	.3750	9.525	.1719	4.366	.1406	3.571	.422	.031	.173	.282	.005	6	1/16	60	22	68
SSR-2	R/H	.1250	3.175	.3750	9.525	.1875	4.763	.1562	3.967	.440	.030	.200	.321	.012	7	1/16	66	26	61
SSRI-5532	H	.1562	3.967	.3125	7.938	.1562	3.967	.1250	3.175	.359	.036	.221	.285	.003	7	3/64	41	15	61
SSRI-5532	R	.1562	3.967	.3125	7.938	.1562	3.967	.1250	3.175	.359	.036	.221	.285	.003	8	3/64	45	17	61
SSRI-5632	H	.1875	4.763	.3125	7.938	.1562	3.967	.1250	3.175	.359	.036	.221	.285	.003	7	3/64	41	15	61
SSRI-5632	R	.1875	4.763	.3125	7.938	.1562	3.967	.1250	3.175	.359	.036	.221	.285	.003	8	3/64	45	17	61
SSRI-6632	R/H	.1875	4.763	.3750	9.525	.1562	3.967	.1250	3.175	.422	.031	.235	.341	.003	8	1/16	76	31	54
SSR-3	R/H	.1875	4.763	.5000	12.700	.2272	5.771	.1960	4.978	.565	.042	.276	.433	.012	7	3/32	140	59	44
SSRI-614	H	.2500	6.350	.3750	9.525	.1562	3.967	.1250	3.175	.422	.036	.285	.348	.003	13	.0394	43	21	48
SSRI-814	R/H	.2500	6.350	.5000	12.700	.2188	5.558	.1875	4.763	.547	.045	.330	.452	.005	10	1/16	88	40	40
SSR-4	R/H	.2500	6.350	.6250	15.875	.2260	5.740	.1960	4.978	.690	.042	.364	.544	.012	8	3/32	159	70	35
SSRI-8516	R	.3125	7.938	.5000	12.700	.1875	4.763	.1562	3.967	.547	.031	.362	.460	.005	11	1/16	93	43	37